



www.stiga.com

Illustrated Parts List

for model:

SPR 255 C

- Use GLOBAL GARDEN PRODUCT genuine spare parts specified in the parts list for repair and/or replacement.
- Then contents described in the parts list may change due to improvement.
- The drawings of the spare part are only indicative and might not represent the part in question exactly.
- The indications "right" - "left" - "front" - "rear" refer to the position of the operator when using the machine.
- When placing orders of parts for repair and/or replacement, make sure that the illustrated parts list is the one applying to the machine's year of manufacture, as shown on the identification plate attached to the machine.

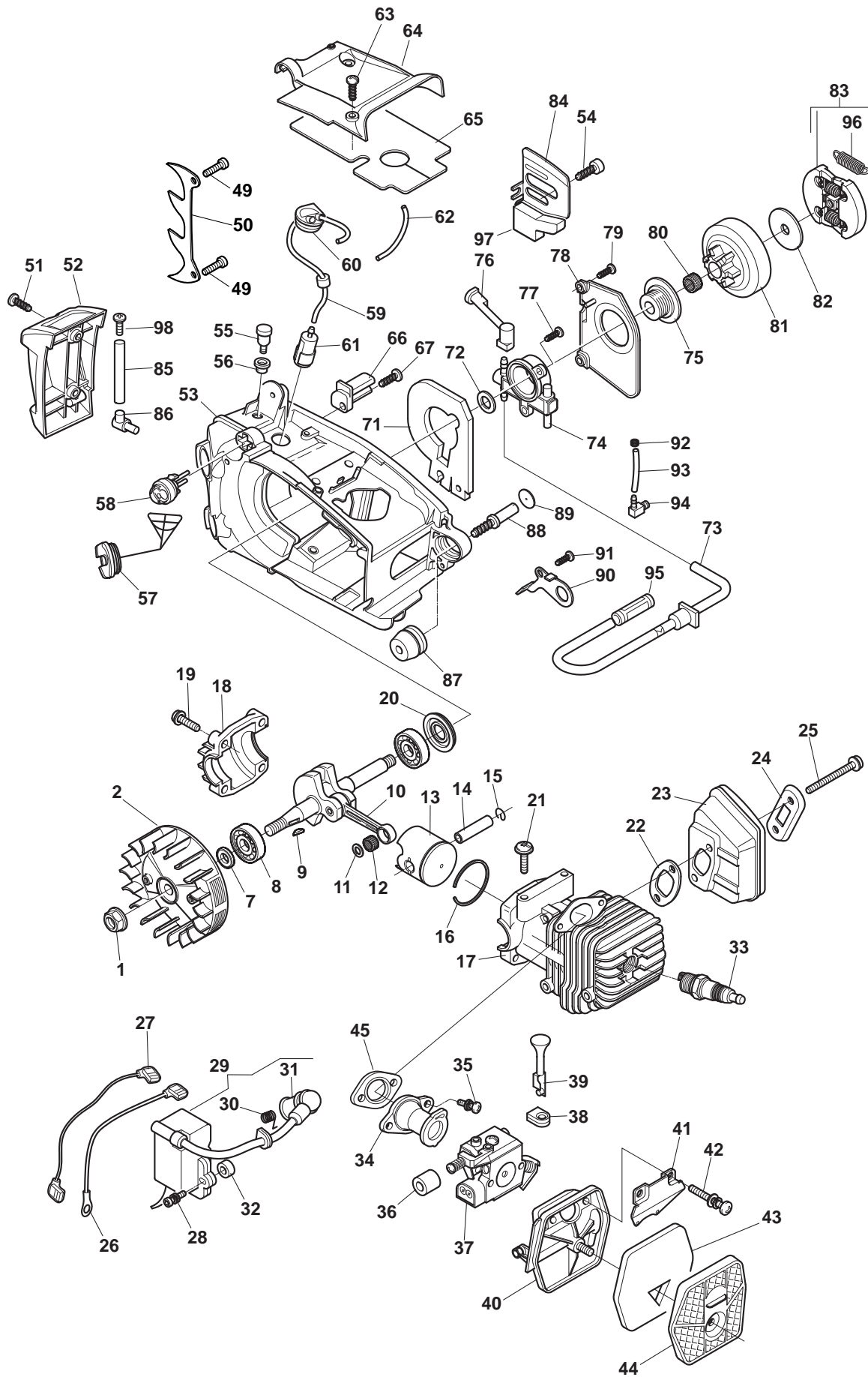
© Copyright 2014 Global Garden Products

All content is subject to copyright by Global Garden Products and may not be reproduced in whole or in part by any means, electronic or otherwise, without prior written approval.

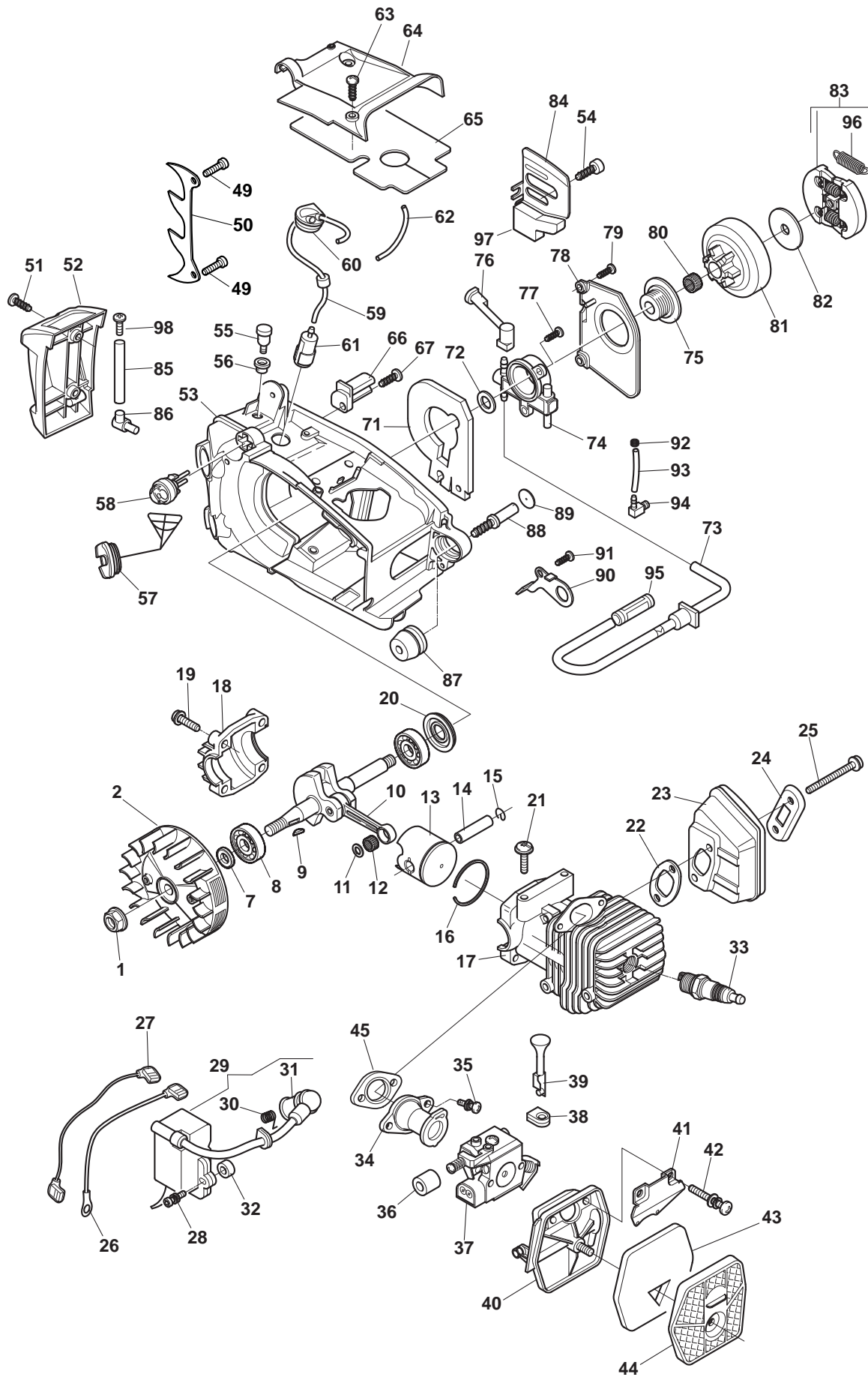
THIS INFORMATION IS NOT INTENDED FOR SALE OR RESALE, AND THIS NOTICE MUST REMAIN ON ALL COPIES.

www.ggp-group.com

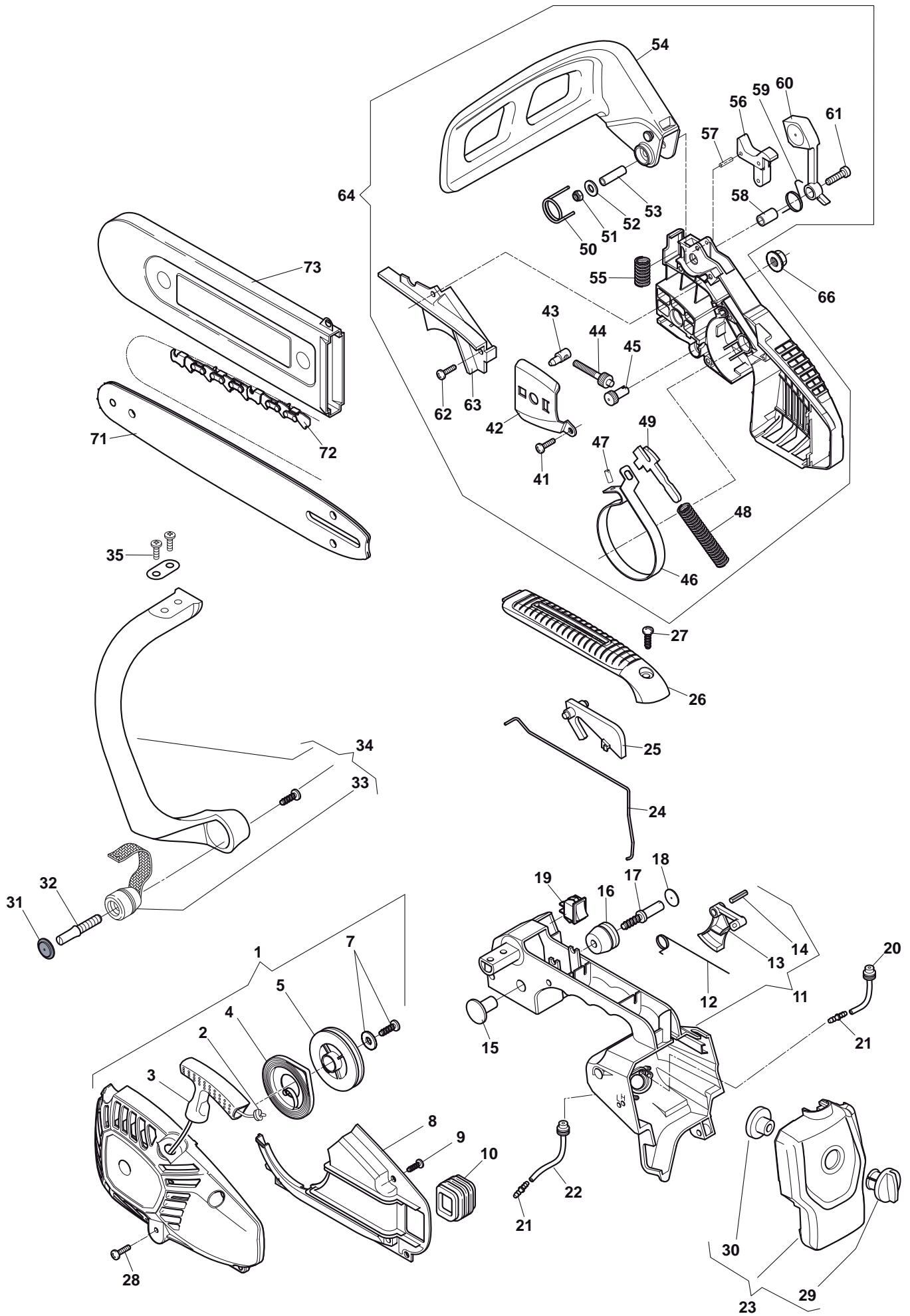




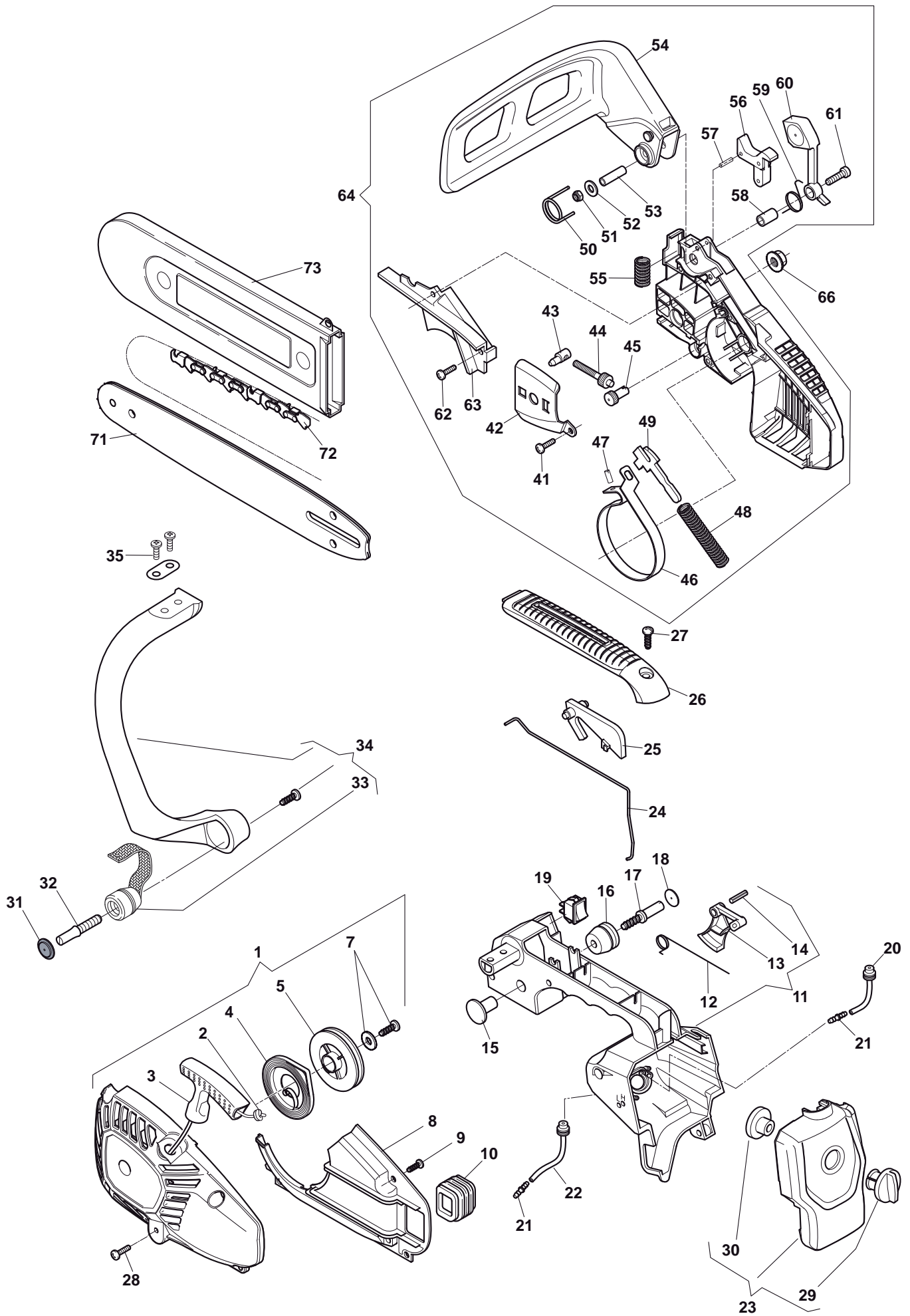
| POSITION | PART No. | Q.Ty | DESCRIPTION | NOTES |
|----------|-------------|------|----------------------|-------|
| 1 | 123120008/0 | 1 | Nut | |
| 2 | 183880005/0 | 1 | Flywheel Assy | |
| 7 | 119035162/0 | 1 | Seal Ring | |
| 8 | 114215219/0 | 2 | Ball Bearing | |
| 9 | 123072005/0 | 1 | Flywheed Key | |
| 10 | 123020030/0 | 1 | Crankshaft | |
| 11 | 123652505/0 | 2 | Washer | |
| 12 | 123235008/0 | 1 | Needle Bearing | |
| 13 | 123590012/0 | 1 | Piston | |
| 14 | 123760006/0 | 1 | Piston Pin | |
| 15 | 123202006/0 | 2 | Circlip | |
| 16 | 123204014/0 | 1 | Piston Ring | |
| 17 | 183070007/0 | 1 | Cylinder Assy | |
| 18 | 123082006/0 | 1 | Stabilizer | |
| 19 | 123878076/0 | 4 | Screw | |
| 20 | 119035163/0 | 1 | Seal Ring | |
| 21 | 123878081/0 | 4 | Screw | |
| 22 | 123280067/0 | 1 | Muffler Gasket | |
| 23 | 183740018/0 | 1 | Muffler | |
| 24 | 118801578/0 | 1 | Plate | |
| 25 | 123878078/0 | 2 | Screw | |
| 26 | 6995210 | 1 | Earth Cable | |
| 27 | 6995227 | 1 | Stop Wire | |
| 28 | 123878079/0 | 2 | Screw | |
| 29 | 183044001/0 | 1 | Electronic Coil | |
| 30 | 6995022 | 1 | Spark Plug Spring | |
| 31 | 6995066 | 1 | Spark Plug Cover | |
| 32 | 123160063/0 | 2 | Bushing | |
| 33 | 3210024 | 1 | Spark Plug | |
| 34 | 123073516/0 | 1 | Intake Manifold Assy | |
| 35 | 123878077/0 | 2 | Screw | |
| 36 | 6995212 | 1 | Gasket | |
| 37 | 123054034/0 | 1 | Carburettor | |
| 38 | 123275025/0 | 1 | Grommet | |
| 39 | 123315093/0 | 1 | Choke Lever Rod | |
| 40 | 118801588/0 | 1 | Air Cleaner Base | |
| 41 | 123543002/0 | 1 | Plate | |
| 42 | 123878086/0 | 2 | Screw | |
| 43 | 123220014/0 | 1 | Air Filter | |
| 44 | 118801589/0 | 1 | Cleaner cover | |
| 45 | 118801577/0 | 1 | Intake tube gasket | |
| 49 | 123878122/2 | 2 | Screw | |
| 50 | 118550596/0 | 1 | Spike | |
| 51 | 123878008/0 | 2 | Screw | |
| 52 | 118801596/0 | 1 | Front Cover | |
| 53 | 118802270/0 | 1 | Crankase Ass.Y | |
| 54 | 6995187 | 2 | Screw | |
| 55 | 183875003/0 | 1 | Breather Valve Assy | |
| 56 | 123275024/0 | 1 | Grommet | |
| 57 | 183790010/0 | 2 | Cap Ass'Y | |
| 58 | 123018001/0 | 1 | Air Purge | |
| 59 | 123867019/0 | 1 | Pipe | |
| 60 | 123650004/0 | 1 | Grommet | |
| 61 | 183520007/0 | 1 | Fuel Pickup Assy | |
| 62 | 118801532/0 | 1 | Pipe | |
| 63 | 123878082/0 | 2 | Screw | |
| 64 | 118801579/0 | 1 | Upper Cover | |



| POSITION | PART No. | Q.Ty | DESCRIPTION | NOTES |
|----------|-------------|------|-------------------------|-------|
| 65 | 123600072/0 | 1 | Guard | |
| 66 | 123202007/0 | 1 | Chain Guard | |
| 67 | 123878093/0 | 1 | Screw | |
| 71 | 123600073/0 | 1 | Gasket | |
| 72 | 123652506/0 | 1 | Washer | |
| 73 | 123867020/0 | 1 | Pipe | |
| 74 | 183594508/0 | 1 | Oil Pump Assy | |
| 75 | 123878083/0 | 1 | Female Screw | |
| 76 | 123867024/0 | 1 | Pipe | |
| 77 | 123878084/0 | 2 | Screw | |
| 78 | 123109577/0 | 1 | Cover Pump | |
| 79 | 123878080/0 | 2 | Screw | |
| 80 | 123235009/0 | 1 | Needle Bearing | |
| 81 | 123050008/0 | 1 | Drum Ass'Y, Clutch 1/4" | |
| 82 | 123657011/0 | 1 | Sprocket Washer | |
| 83 | 183215008/0 | 1 | Clutch Ass.Y | |
| 84 | 123311009/0 | 1 | Plate | |
| 85 | 118800255/0 | 1 | Oil Ingoing Tube | |
| 86 | 118801162/0 | 1 | Suction Jet | |
| 87 | 123275027/0 | 1 | Shock Absorber | |
| 88 | 123878093/0 | 1 | Screw | |
| 89 | 123790022/0 | 1 | Cap | |
| 90 | 123208412/0 | 1 | Clamp | |
| 91 | 123878080/0 | 1 | Screw | |
| 92 | 123206852/0 | 1 | Fair Led | |
| 93 | 123867018/0 | 1 | Pipe | |
| 94 | 123650005/0 | 3 | Pipe Connection | |
| 95 | 123220013/0 | 1 | Fuel Pickup Assy | |
| 96 | 123430593/0 | 1 | Spring | |
| 97 | 123600074/0 | 1 | Guard | |
| 98 | 112782524/0 | 1 | Screw | |



| POSITION | PART No. | Q.Ty | DESCRIPTION | NOTES |
|----------|-------------|------|---------------------|-------|
| 1 | 118801599/0 | 1 | Starter Assy Yellow | |
| 2 | 123234005/0 | 1 | Starter Cord | |
| 3 | 123300013/0 | 1 | Starter Handle | |
| 4 | 123430594/0 | 1 | Starter Spring | |
| 5 | 123604011/0 | 1 | Starter Pulley | |
| 7 | 123878087/0 | 1 | Screw | |
| 8 | 123107504/0 | 1 | Air Conveyor | |
| 9 | 123878088/0 | 1 | Screw | |
| 10 | 123275026/0 | 1 | Grommet | |
| 11 | 183300023/0 | 1 | Handle Assy | |
| 12 | 123430599/0 | 1 | Spring | |
| 13 | 123315095/0 | 1 | Throttle Lever | |
| 14 | 123510098/0 | 1 | Elastic Pin | |
| 15 | 123790021/0 | 1 | Cap | |
| 16 | 123275027/0 | 1 | Shock Absorber | |
| 17 | 123878093/0 | 1 | Screw | |
| 18 | 123790022/0 | 1 | Cap | |
| 19 | 123303006/0 | 1 | Switch | |
| 20 | 123867020/0 | 1 | Pipe | |
| 21 | 123650005/0 | 3 | Pipe Connection | |
| 22 | 123867021/0 | 2 | Pipe | |
| 23 | 118801590/0 | 1 | Rear Cover | |
| 24 | 123835002/0 | 1 | Throttle Rod | |
| 25 | 123315096/0 | 1 | Safety Lever | |
| 26 | 118801582/0 | 1 | Handle, Upper Part | |
| 27 | 123878008/0 | 1 | Screw | |
| 28 | 123878008/0 | 4 | Screw | |
| 29 | 123593507/0 | 1 | Knob | |
| 30 | 123657012/0 | 1 | Bush | |
| 31 | 123790022/0 | 1 | Cap | |
| 32 | 123878093/0 | 1 | Screw | |
| 33 | 123275027/0 | 1 | Shock Absorber | |
| 34 | 183105000/0 | 1 | Handle | |
| 35 | 123657014/0 | 1 | Plate | |
| 41 | 123878088/0 | 1 | Screw | |
| 42 | 123311010/0 | 1 | Bar Plate | |
| 43 | 123796008/0 | 1 | Nut | |
| 44 | 123878092/0 | 1 | Screw | |
| 45 | 123510097/0 | 1 | Pin | |
| 46 | 123448005/0 | 1 | Brake Band | |
| 47 | 123665004/0 | 1 | Needle | |
| 48 | 123430598/0 | 1 | Spring | |
| 49 | 123315094/0 | 1 | Lever | |
| 50 | 123430595/0 | 1 | Spring | |
| 51 | 123120009/0 | 1 | Nut | |
| 52 | 123657013/0 | 1 | Washer | |
| 53 | 123044219/0 | 1 | Bushing | |
| 54 | 118801594/0 | 1 | Hand Guard | |
| 55 | 123430597/0 | 1 | Spring | |
| 56 | 183315052/0 | 1 | Chain Brake Lever | |
| 57 | 123665003/0 | 1 | Needle | |
| 58 | 123044220/0 | 1 | Bushing | |
| 59 | 123430596/0 | 1 | Spring | |
| 60 | 123080002/0 | 1 | Balance Weighth | |
| 61 | 123878090/0 | 1 | Screw | |
| 62 | 123878088/0 | 3 | Screw | |
| 63 | 123109578/0 | 1 | Brake Cover | |



| POSITION | PART No. | Q.Ty | DESCRIPTION | NOTES |
|----------|-------------|------|-----------------------|-------|
| 64 | 118801591/0 | 1 | Clutch Housing Yellow | |
| 66 | 123120010/0 | 1 | Nut | |
| 71 | 123900361/0 | 1 | Guide Bar 10" 1/4 | |
| 72 | 118801741/0 | 1 | Chain 10" 1/4 | |
| 73 | 323085000/0 | 1 | Chain Cover | |